



SUBMITTAL DATA – OUTDOOR  
UNIT **MLB030S4M-1P**  
MULTI-ZONE MINI-SPLIT HEAT PUMP

**Job:** \_\_\_\_\_  
**Location:** \_\_\_\_\_  
**Schedule No.:** \_\_\_\_\_  
**System Designation:** \_\_\_\_\_

**Engineer:** \_\_\_\_\_  
**Architect:** \_\_\_\_\_  
**Date:** \_\_\_\_\_  
**For:**  Reference  Approval  Review  Construction

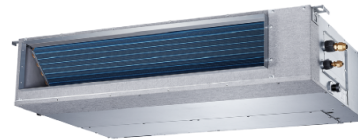
**FEATURES**

**Outdoor Unit: MLB030S4M-1P**

**Indoor Unit Options: Ducted OR Non-Ducted**



- Low Ambient Cooling/Heating
- Defrost Control
- DC Inverter Control
- Base Pan Heater
- Crankcase Heater



**Piping**

**Line Set and Elevation Guidelines**

Maximum Number of Indoor Units/Zones	3
Liquid Line Set Diameter (in.)	(3) 1/4
Gas Line Set Diameter (in.)	(3) 3/8
Maximum Pipe Length ft. (m)	197 ft. (60 m)
Maximum Line Set Length - Furthest Indoor Unit	98 ft. (30 m)
Maximum Elevation - Outdoor Unit Below/Above Indoor Unit ft. (m)	49 ft. (15m)
Pre-Charged (ft.)	25 ft.
Additional Charge of Refrigerant (oz/ft.)	0.16

**PRODUCT WARRANTY**

Compressor – Twelve year limited warranty\*  
All other covered components - Twelve year limited warranty\*  
\*Product registration required

**OPTIONAL ACCESSORIES**

Non-Programmable Controller (M0STAT61Q-1)  
Programmable Controller (M0STAT64Q-2)



NOTE – Due to Lennox' ongoing commitment to quality, Specifications, Ratings, and Dimensions are subject to change without notice and without incurring liability. Improper installation, adjustment, alteration, service or maintenance can cause property damage or personal injury. Installation and service must be performed by a qualified installer and servicing agency.



**SUBMITTAL DATA – OUTDOOR  
UNIT ML**B030**S4M-1P  
MULTI-ZONE MINI-SPLIT HEAT PUMP**

**OUTDOOR SPECIFICATIONS**

**PERFORMANCE**

Cooling Capacity (Btu/h) <sup>1</sup>	Ducted	28,000
	Non-Ducted	28,000
EER	Ducted	11.5
	Non-Ducted	12.5
SEER	Ducted	20.0
	Non-Ducted	22.5
Heating Capacity (Btu/h) <sup>1</sup>	Ducted	28,000
	Non-Ducted	28,000
HSPF	Ducted	10.1
	Non-Ducted	11.3
Outdoor Fan Total Air Volume (CFM)		2150
Ambient Temperature Operating Range		
Cooling		-22 - 122°F
Heating		-22 - 86°F

**ELECTRICAL DATA**

Power Supply (V/Hz/φ)	208-230/60/1
Minimum Circuit Ampacity (A)	25
Maximum Overcurrent Protection (A)	40
Outdoor Fan Motor RLA (A)	1.3
No. of Compressors	1

**GENERAL DATA**

Connection Ratio (%)	66% to 133%
Max. # of Indoor Units	Up to 3 units
Sound Data (dBA) - Cooling/Heating	63/63
Refrigerant type	R-410A
Factory refrigerant charge	8 lbs. 6 oz.

**DIMENSIONS**

Unit Dimensions (in)	Height	31-7/8
	Width	40-5/8
	Depth	16-5/8
Shipping Weight (lb)		180
Net Weight (lb)		168

**NOTES**

- Cooling and Heating Capacity data is rated at the following conditions:  
Cooling: 80°FDB / 67°FWB Indoor, 95°FDB Outdoor  
Heating: 70°FDB Indoor, 47°FDB / 43°FWB Outdoor

NOTE – Due to Lennox' ongoing commitment to quality, Specifications, Ratings, and Dimensions are subject to change without notice and without incurring liability. Improper installation, adjustment, alteration, service or maintenance can cause property damage or personal injury. Installation and service must be performed by a qualified installer and servicing agency.



SUBMITTAL DATA – OUTDOOR  
UNIT **MLB030S4M-1P**  
**MULTI-ZONE MINI-SPLIT HEAT PUMP**

**Multi-Zone System Combinations**

**NOTE - For multi-zone systems, the total capacity of all indoor units must be 66% to 133% of the outdoor unit capacity.**

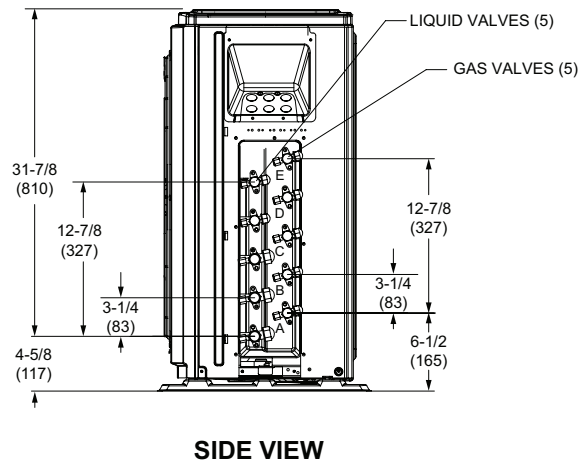
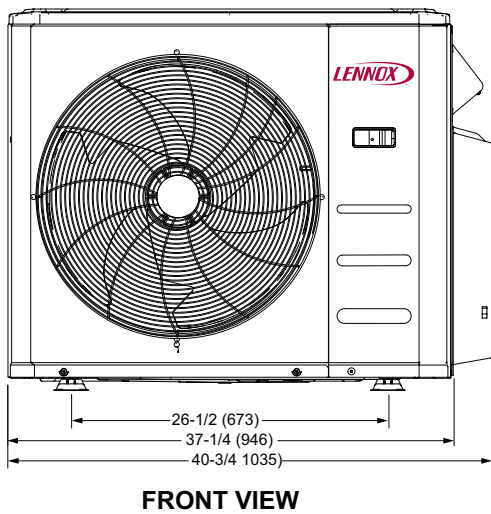
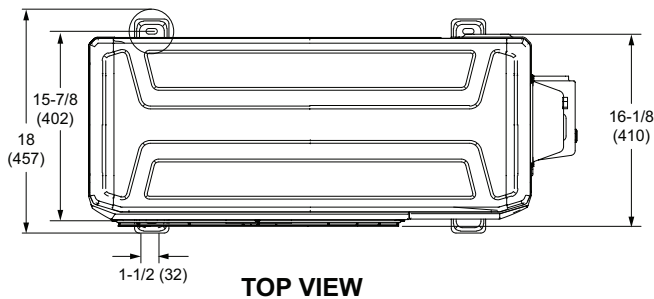
Outdoor Unit Model No.	Number of Zones	Indoor Unit Capacity					Nominal Cooling Capacity at Rated System Capacity (Btuh)					Nominal Heating Capacity at Rated System Capacity (Btuh)				
		#1	#2	#3	#4	#5	#1	#2	#3	#4	#5	#1	#2	#3	#4	#5
MLB030S4M	2	6K	12K	--	---	--	6,000	12,000	--	---	--	6,500	12,900	--	---	--
		6K	18K	--	---	--	5,000	17,000	--	---	--	6,300	18,900	--	---	--
		9K	9K	--	---	--	9,000	9,000	--	---	--	9,700	9,700	--	---	--
		9K	12K	--	---	--	8,000	11,000	--	---	--	9,700	12,900	--	---	--
		9K	18K	--	---	--	8,000	16,000	--	---	--	9,200	18,300	--	---	--
		12K	12K	--	---	--	11,000	11,000	--	---	--	12,600	12,600	--	---	--
		12K	18K	--	---	--	10,000	15,000	--	---	--	11,600	17,400	--	---	--
		18K	18K	--	---	--	14,000	14,000	--	---	--	14,800	14,800	--	---	--
	3	6K	6K	6K	--	---	7,000	7,000	7,000	--	---	8,500	8,500	8,500	--	---
		6K	6K	9K	--	---	7,000	7,000	10,000	--	---	7,700	7,700	11,500	--	---
		6K	6K	12K	--	---	6,000	6,000	13,000	--	---	7,000	7,000	13,900	--	---
		6K	6K	18K	--	---	6,000	6,000	17,000	--	---	5,900	5,900	17,500	--	---
		6K	9K	9K	--	---	6,000	10,000	10,000	--	---	7,000	10,500	10,500	--	---
		6K	9K	12K	--	---	6,000	9,000	12,000	--	---	6,400	9,500	12,700	--	---
		6K	9K	18K	--	---	5,000	8,000	16,000	--	---	5,400	8,100	16,100	--	---
		6K	12K	12K	--	---	6,000	11,000	11,000	--	---	5,900	11,700	11,700	--	---
		6K	12K	18K	--	---	5,000	10,000	15,000	--	---	5,000	10,000	15,000	--	---
		9K	9K	9K	--	---	9,000	9,000	9,000	--	---	9,500	9,500	9,500	--	---
		9K	9K	12K	--	---	9,000	9,000	11,000	--	---	8,800	8,800	11,700	--	---
		9K	9K	18K	--	---	7,000	7,000	15,000	--	---	7,500	7,500	15,000	--	---
9K	12K	12K	--	---	8,000	11,000	11,000	--	---	8,100	10,800	10,800	--	---		
12K	12K	12K	--	---	10,000	10,000	10,000	--	---	10,000	10,000	10,000	--	---		

NOTE – Due to Lennox’ ongoing commitment to quality, Specifications, Ratings, and Dimensions are subject to change without notice and without incurring liability. Improper installation, adjustment, alteration, service or maintenance can cause property damage or personal injury. Installation and service must be performed by a qualified installer and servicing agency.



SUBMITTAL DATA – OUTDOOR  
 UNIT ML**B030S4M-1P**  
**MULTI-ZONE MINI-SPLIT HEAT PUMP**

**OUTDOOR DIMENSIONAL DRAWINGS - INCHES (MM)**



NOTE – Due to Lennox' ongoing commitment to quality, Specifications, Ratings, and Dimensions are subject to change without notice and without incurring liability. Improper installation, adjustment, alteration, service or maintenance can cause property damage or personal injury. Installation and service must be performed by a qualified installer and servicing agency.



SUBMITTAL DATA – OUTDOOR  
UNIT **MLB036S4M-1P**  
MULTI-ZONE MINI-SPLIT HEAT PUMP

**Job:** \_\_\_\_\_  
**Location:** \_\_\_\_\_  
**Schedule No.:** \_\_\_\_\_  
**System Designation:** \_\_\_\_\_

**Engineer:** \_\_\_\_\_  
**Architect:** \_\_\_\_\_  
**Date:** \_\_\_\_\_  
**For:**  Reference  Approval  Review  Construction

**FEATURES**

**Outdoor Unit: MLB036S4M-1P**

**Indoor Unit Options: Ducted OR Non-Ducted**



- Low Ambient Cooling/Heating
- Defrost Control
- DC Inverter Control
- Base Pan Heater
- Crankcase Heater



**Piping**

**Line Set and Elevation Guidelines**

Maximum Number of Indoor Units/Zones	4
Liquid + Gas pipe (flare)	(3) 1/4 liq. + (3) 3/8 gas (1) 1/4 liq. + (1) 1/2 gas
Maximum Pipe Length ft. (m)	262 ft. (80 m)
Maximum Line Set Length - Furthest Indoor Unit	115 ft. (35 m)
Maximum Elevation - Outdoor Unit Below/Above Indoor Unit ft. (m)	49 ft. (15m)
Pre-Charged (ft.)	25 ft.
Additional Charge of Refrigerant (oz/ft.)	0.16

**PRODUCT WARRANTY**

Compressor – Twelve year limited warranty\*  
All other covered components - Twelve year limited warranty\*  
\*Product registration required

**OPTIONAL ACCESSORIES**

Non-Programmable Controller (M0STAT61Q-1)  
Programmable Controller (M0STAT64Q-2)



NOTE – Due to Lennox' ongoing commitment to quality, Specifications, Ratings, and Dimensions are subject to change without notice and without incurring liability. Improper installation, adjustment, alteration, service or maintenance can cause property damage or personal injury. Installation and service must be performed by a qualified installer and servicing agency.



SUBMITTAL DATA – OUTDOOR  
UNIT ML**B036**S4M-1P  
**MULTI-ZONE** MINI-SPLIT HEAT PUMP

**OUTDOOR SPECIFICATIONS**

**PERFORMANCE**

Cooling Capacity (Btu/h) <sup>1</sup>	Ducted	36,000
	Non-Ducted	36,000
EER	Ducted	11.3
	Non-Ducted	13.6
SEER	Ducted	19.0
	Non-Ducted	21.8
Heating Capacity (Btu/h) <sup>1</sup>	Ducted	37,000
	Non-Ducted	36,400
HSPF	Ducted	11.0
	Non-Ducted	11.0
Outdoor Fan Total Air Volume (CFM)		4500
Ambient Temperature Operating Range		
Cooling		-22 - 122°F
Heating		-22 - 86°F

**ELECTRICAL DATA**

Power Supply (V/Hz/φ)	208-230/60/1
Minimum Circuit Ampacity (A)	35.0
Maximum Overcurrent Protection (A)	50.0
Outdoor Fan Motor RLA (A)	(2) 1.0
No. of Compressors	1

**GENERAL DATA**

Connection Ratio (%)	66% to 133%
Max. # of Indoor Units	Up to 4 units
Sound Data (dBA) - Cooling/Heating	63/63
Refrigerant type	R-410A
Factory refrigerant charge	10 lbs. 2 oz.

**DIMENSIONS**

Unit Dimensions (in)	Height	52-1/2
	Width	41-3/4
	Depth	16-3/8
Shipping Weight (lb)		255
Net Weight (lb)		224

**NOTES**

- Cooling and Heating Capacity data is rated at the following conditions:  
Cooling: 80°FDB / 67°FWB Indoor, 95°FDB Outdoor  
Heating: 70°FDB Indoor, 47°FDB / 43°FWB Outdoor

NOTE – Due to Lennox' ongoing commitment to quality, Specifications, Ratings, and Dimensions are subject to change without notice and without incurring liability. Improper installation, adjustment, alteration, service or maintenance can cause property damage or personal injury. Installation and service must be performed by a qualified installer and servicing agency.

## Multi-Zone System Combinations

**NOTE - For multi-zone systems, the total capacity of all indoor units must be 66% to 133% of the outdoor unit capacity.**

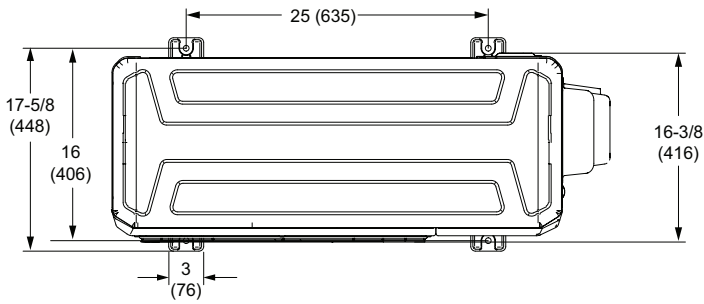
Outdoor Unit Model No.	Number of Zones	Indoor Unit Capacity					Nominal Cooling Capacity at Rated System Capacity (Btuh)					Nominal Heating Capacity at Rated System Capacity (Btuh)				
		#1	#2	#3	#4	#5	#1	#2	#3	#4	#5	#1	#2	#3	#4	#5
MLB036S4M	2	6K	18K	--	---	--	6,000	18,000	--	---	--	6,400	19,100	--	---	--
		6K	24K	--	---	--	6,000	22,000	--	---	--	6,100	24,200	--	---	--
		9K	18K	--	---	--	9,000	17,000	--	---	--	9,400	18,700	--	---	--
		9K	24K	--	---	--	8,000	21,000	--	---	--	8,800	23,300	--	---	--
		12K	12K	--	---	--	12,000	12,000	--	---	--	12,800	12,800	--	---	--
		12K	18K	--	---	--	11,000	17,000	--	---	--	12,100	18,200	--	---	--
		12K	24K	--	---	--	10,000	20,000	--	---	--	11,100	22,200	--	---	--
		18K	18K	--	---	--	15,000	15,000	--	---	--	16,600	16,600	--	---	--
		18K	24K	--	---	--	13,000	18,000	--	---	--	14,500	19,300	--	---	--
	24K	24K	--	---	--	15,000	15,000	--	---	--	15,700	15,700	--	---	--	
	3	6K	6K	12K	--	---	6,500	6,500	12,900	--	---	6,800	6,800	13,600	--	---
		6K	6K	18K	--	---	6,000	6,000	18,000	--	---	6,300	6,300	18,900	--	---
		6K	6K	24K	--	---	5,500	5,500	22,000	--	---	5,800	5,800	23,200	--	---
		6K	9K	12K	--	---	6,200	9,300	12,500	--	---	6,600	9,800	13,100	--	---
		6K	9K	18K	--	---	5,700	8,600	17,200	--	---	6,100	9,100	18,100	--	---
		6K	9K	24K	--	---	5,300	7,900	21,100	--	---	5,600	8,400	22,200	--	---
		6K	12K	12K	--	---	6,000	12,000	12,000	--	---	6,300	12,600	12,600	--	---
		6K	12K	18K	--	---	5,500	11,000	16,500	--	---	5,800	11,600	17,400	--	---
		6K	12K	24K	--	---	5,000	10,000	20,100	--	---	5,300	10,600	21,200	--	---
		6K	18K	18K	--	---	5,000	15,100	15,100	--	---	5,300	15,900	15,900	--	---
		6K	18K	24K	--	---	4,500	13,600	18,100	--	---	4,800	14,400	19,200	--	---
		9K	9K	9K	--	---	9,300	9,300	9,300	--	---	9,800	9,800	9,800	--	---
		9K	9K	12K	--	---	9,000	9,000	12,000	--	---	9,500	9,500	12,600	--	---
		9K	9K	18K	--	---	8,300	8,300	16,500	--	---	8,700	8,700	17,400	--	---
		9K	9K	24K	--	---	7,500	7,500	20,100	--	---	8,000	8,000	21,200	--	---
		9K	12K	12K	--	---	8,600	11,500	11,500	--	---	9,100	12,100	12,100	--	---
		9K	12K	18K	--	---	7,900	10,500	15,800	--	---	8,400	11,100	16,700	--	---
		9K	12K	24K	--	---	7,200	9,600	19,100	--	---	7,600	10,100	20,200	--	---
		9K	18K	18K	--	---	7,200	14,300	14,300	--	---	7,600	15,200	15,200	--	---
		12K	12K	12K	--	---	11,000	11,000	11,000	--	---	11,600	11,600	11,600	--	---
	12K	12K	18K	--	---	10,000	10,000	15,100	--	---	10,600	10,600	15,900	--	---	
	12K	12K	24K	--	---	9,100	9,100	18,100	--	---	9,600	9,600	19,200	--	---	
	12K	18K	18K	--	---	9,100	13,600	13,600	--	---	9,600	14,400	14,400	--	---	
	4	6K	6K	6K	6K	--	7,200	7,200	7,200	7,200	--	7,700	7,700	7,700	7,700	--
		6K	6K	6K	9K	--	6,900	6,900	6,900	10,400	--	7,400	7,400	7,400	11,000	--
		6K	6K	6K	12K	--	6,600	6,600	6,600	13,200	--	7,000	7,000	7,000	14,000	--
		6K	6K	6K	18K	--	6,000	6,000	6,000	17,900	--	6,400	6,400	6,400	19,000	--
		6K	6K	6K	24K	--	5,300	5,300	5,300	21,400	--	5,700	5,700	5,700	22,600	--
		6K	6K	9K	9K	--	6,600	6,600	9,900	9,900	--	7,000	7,000	10,500	10,500	--
		6K	6K	9K	12K	--	6,300	6,300	9,400	12,600	--	6,700	6,700	10,000	13,300	--
		6K	6K	9K	18K	--	5,700	5,700	8,500	17,000	--	6,000	6,000	9,000	18,000	--
		6K	6K	9K	24K	--	5,000	5,000	7,500	20,100	--	5,300	5,300	8,000	21,200	--
		6K	6K	12K	12K	--	6,000	6,000	12,000	12,000	--	6,400	6,400	12,700	12,700	--
		6K	6K	12K	18K	--	5,300	5,300	10,700	16,000	--	5,700	5,700	11,300	17,000	--
		6K	6K	12K	24K	--	4,700	4,700	9,400	18,900	--	5,000	5,000	10,000	19,900	--
		6K	9K	9K	9K	--	6,300	9,400	9,400	9,400	--	6,700	10,000	10,000	10,000	--
		6K	9K	9K	12K	--	6,000	9,000	9,000	12,000	--	6,400	9,500	9,500	12,700	--
		6K	9K	9K	18K	--	5,300	8,000	8,000	16,000	--	5,700	8,500	8,500	17,000	--
6K		9K	9K	24K	--	4,700	7,100	7,100	18,900	--	5,000	7,500	7,500	19,900	--	
6K		9K	12K	12K	--	5,700	8,500	11,300	11,300	--	6,000	9,000	12,000	12,000	--	
6K		9K	12K	18K	--	5,000	7,500	10,100	15,100	--	5,300	8,000	10,600	15,900	--	
6K		12K	12K	12K	--	5,300	10,700	10,700	10,700	--	5,700	11,300	11,300	11,300	--	
6K		12K	12K	18K	--	4,700	9,400	9,400	14,100	--	5,000	10,000	10,000	14,900	--	
9K		9K	9K	9K	--	9,000	9,000	9,000	9,000	--	9,500	9,500	9,500	9,500	--	
9K		9K	9K	12K	--	8,500	8,500	8,500	11,300	--	9,000	9,000	9,000	12,000	--	
9K		9K	9K	18K	--	7,500	7,500	7,500	15,100	--	8,000	8,000	8,000	15,900	--	
9K		9K	12K	12K	--	8,000	8,000	10,700	10,700	--	8,500	8,500	11,300	11,300	--	
9K	9K	12K	18K	--	7,100	7,100	9,400	14,100	--	7,500	7,500	10,000	14,900	--		
9K	12K	12K	12K	--	7,500	10,100	10,100	10,100	--	8,000	10,600	10,600	10,600	--		
12K	12K	12K	12K	--	9,400	9,400	9,400	9,400	--	10,000	10,000	10,000	10,000	--		

**NOTE - Due to Lennox' ongoing commitment to quality, Specifications, Ratings, and Dimensions are subject to change without notice and without incurring liability. Improper installation, adjustment, alteration, service or maintenance can cause property damage or personal injury. Installation and service must be performed by a qualified installer and servicing agency.**

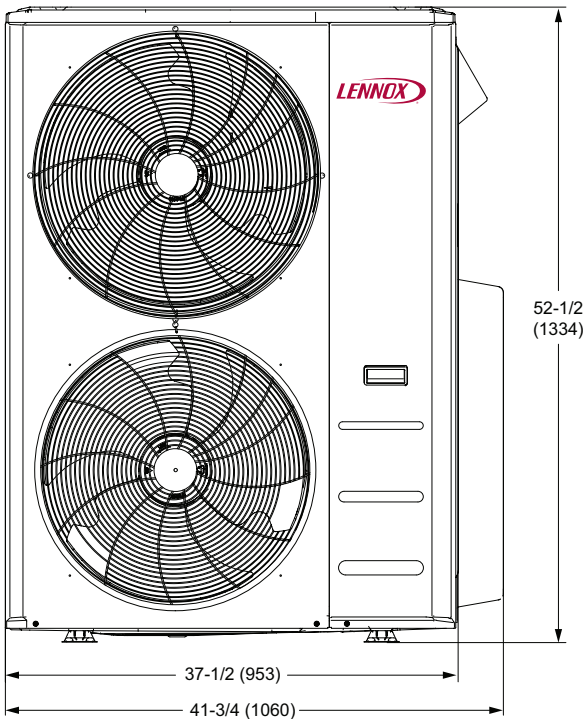


SUBMITTAL DATA – OUTDOOR  
 UNIT **MLB036S4M-1P**  
**MULTI-ZONE MINI-SPLIT HEAT PUMP**

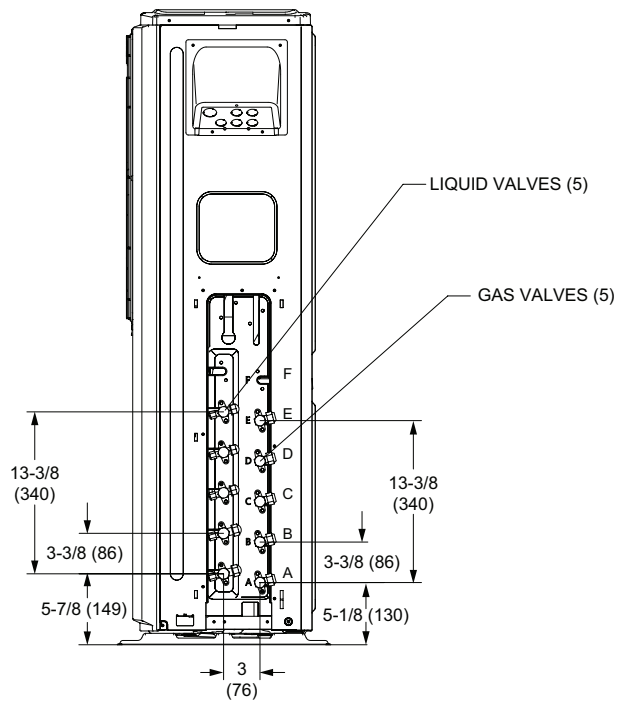
**OUTDOOR DIMENSIONAL DRAWINGS - INCHES (MM)**



**TOP VIEW**



**FRONT VIEW**



**SIDE VIEW**

NOTE – Due to Lennox' ongoing commitment to quality, Specifications, Ratings, and Dimensions are subject to change without notice and without incurring liability. Improper installation, adjustment, alteration, service or maintenance can cause property damage or personal injury. Installation and service must be performed by a qualified installer and servicing agency.