

Calypso



INSTALLATION AND CONNECTION

Installation height 10 in (25 cm).

Clearances

■ Front: 20 in (50 cm) ◀ Sides: 4 in (10 cm) ▲ Above: 12 in (30 cm).

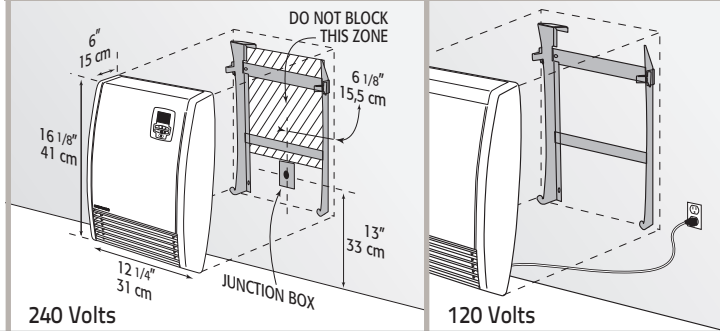
Installation Quick-mounted surface installation with easy snap-on bracket that also serves as marking template.

Connection 240-V unit: Flexible cord connection, including junction box.

Installation requires 2 in X 3 in wall box (not included).


120-V unit: Plug-in connection with 6 ft flexible cord.

Note 3-conductor cable or 2-conductor cable with a third wire should be used if unit is to be linked with the Convectair Programmer module (7392 FP).



HEATING ELEMENT

Total capacity 1500 (120V) and 2000 W (240V)

 **Fan-forced heat (750 (120V) or 1000 W (240V))** Low-thermal-mass heating element combined with low-pressure tangential blower.

Quick heat option (750 (120V) or 1000 W (240V)) Low-thermal-mass heating element combined with low-pressure tangential blower.

Thermal protection Resettable overheat protection. Reset by turning heater off.

TEMPERATURE CONTROL

 **Electronic thermostat** Built-in electronic proportional-action thermostat for the basic heating.

Electronic timer with indicator light, for 5 to 90 minutes of accelerated heating.

Programmer Programmer-compatible, pilot wire only.

CONTROL PANEL

 **Location** Front panel.

LCD screen Back-lit with controls lockable by key combination.

On/Off button with indicator light.

Timer button with indicator light.

24-hr button with indicator light stores the Chrono setting, for daily bathroom preheating.

<< + and - >> buttons control the temperature setting.

Locked indicator light.

Heating indicator light.

CABINET



 **Steel** construction with polyester/epoxy anti-rust powder coating and resistant to UV rays.

Cabinet Splash-proof construction with rounded edges and built-in side wire covers.

Louvers Bottom grille directs the hot air downwards, towards the centre of the room.

Filter Easy-to-clean, removable rear-mounted lint filter for easier maintenance.

Colour BB = White BM = Mimetic White

MODEL	Catalogue No.	Colour	Power		Height		Width		Depth		Net Weight	
			240 V	208 V	cm	in	cm	in	cm	in	kg	lb
CALYPSO ②	7825-C20	BB BM	1000 - 2000 W		41	16 1/8	31	12 1/4	15	6	5,4	11,9
120 VOLTS   PLUG-IN												
CALYPSO ④	7825-B15	BB	750 W - 1500 W		41	16 1/8	31	12 1/4	15	6	5,4	11,9

② Compatible with the Programmer system (see technical specifications for catalogue number 7392).

④ Not compatible with the Programmer system. For use with 120 V outlets.

For guaranteed, dependable operation, we recommend that all units be installed by a licensed electrical contractor. Consult convectair.com to find the most recent installation instructions for our heaters.

